

REPORT N° 70012014-2016-04

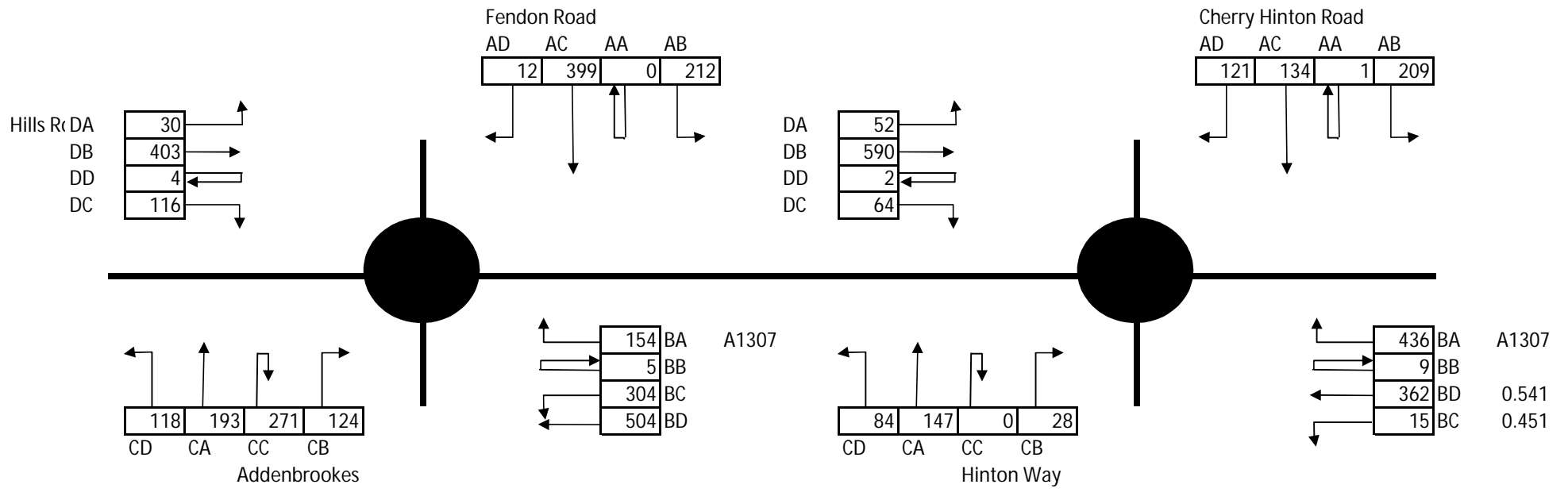
A1307 HAVERHILL TO CAMBRIDGE

PREFERRED OPTIONS REPORT

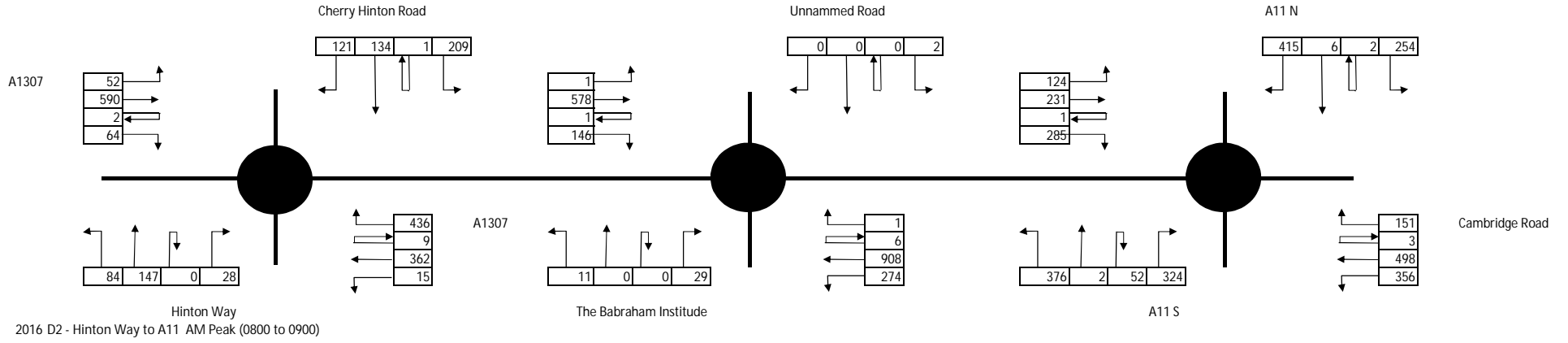
APPENDICES

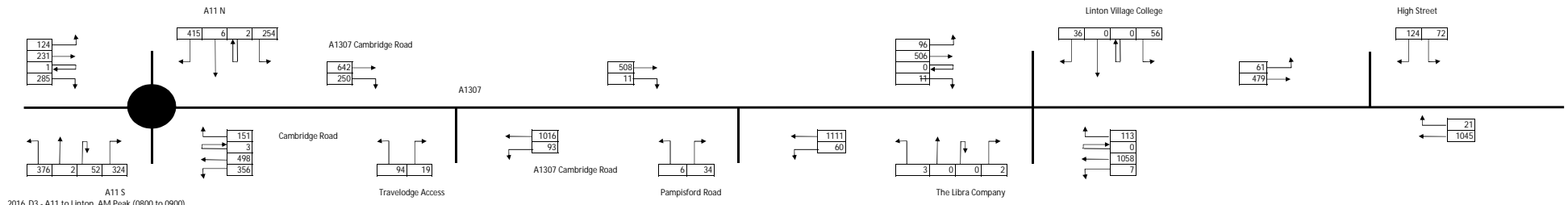
FEBRUARY 2017

APPENDIX H

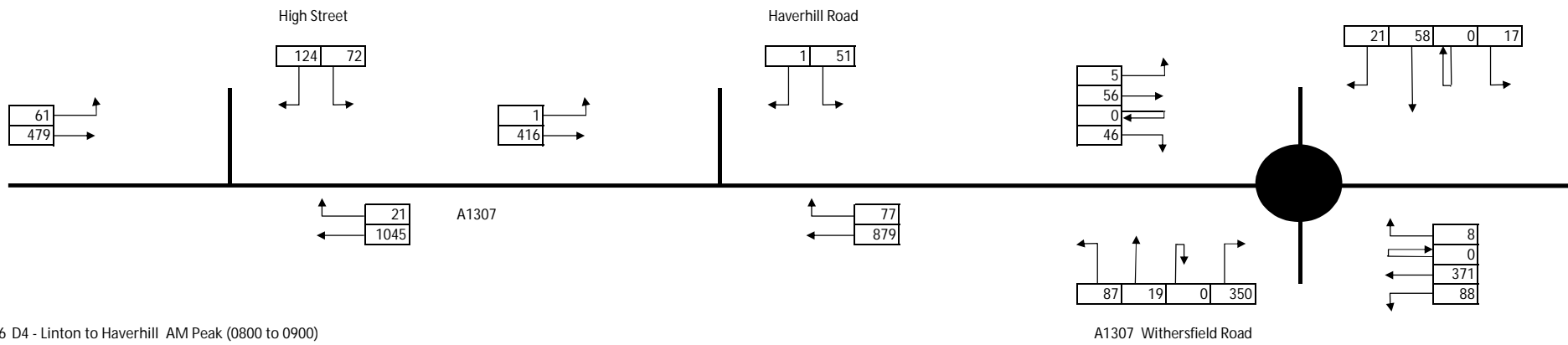


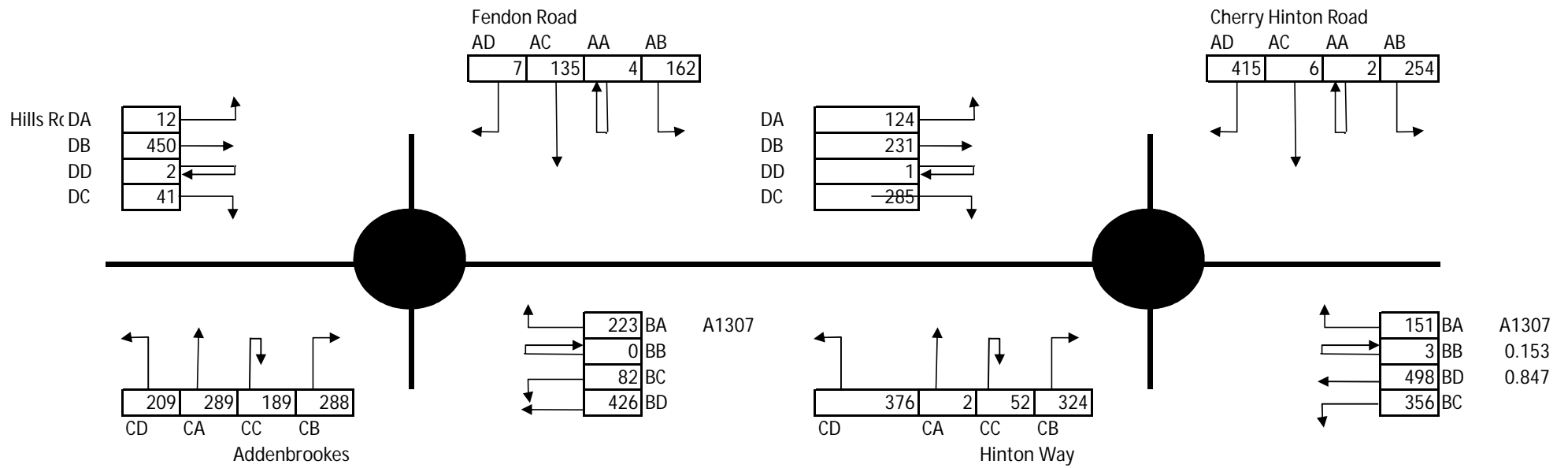
2016 D1 - Addenbrookes to Hinton Way AM Peak (0800 to 0900)



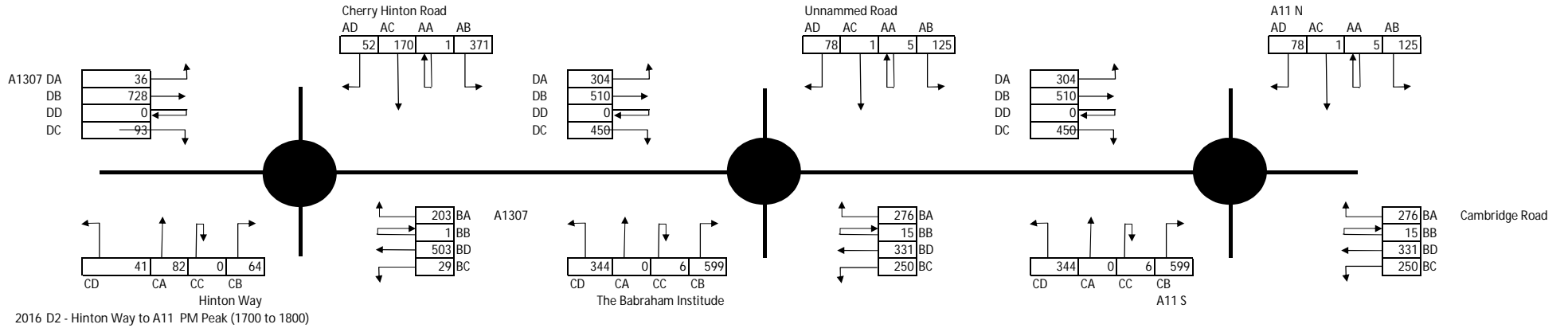


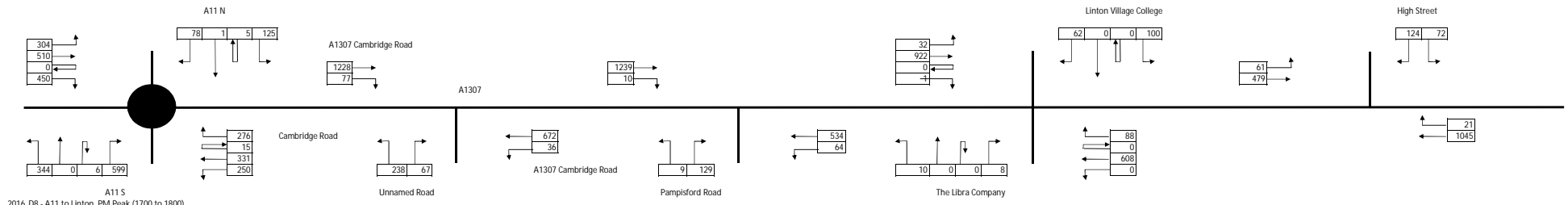
2016 D3 - A11 to Linton AM Peak (0800 to 0900)



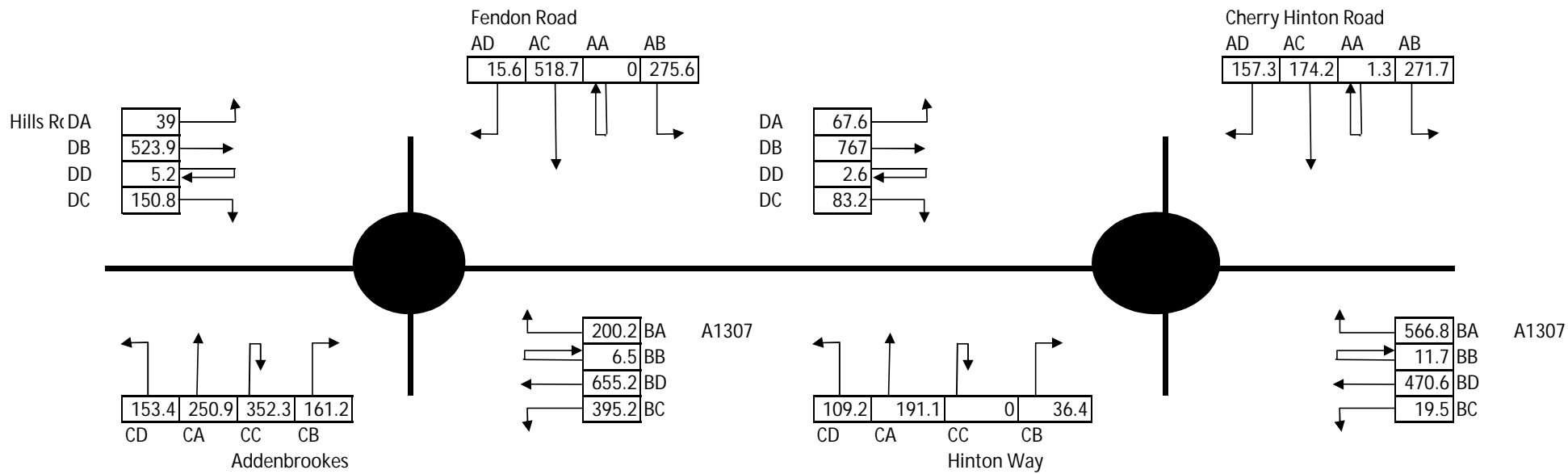


2016 D6 - Addenbrookes to Hinton Way PM Peak (1700 to 1800)

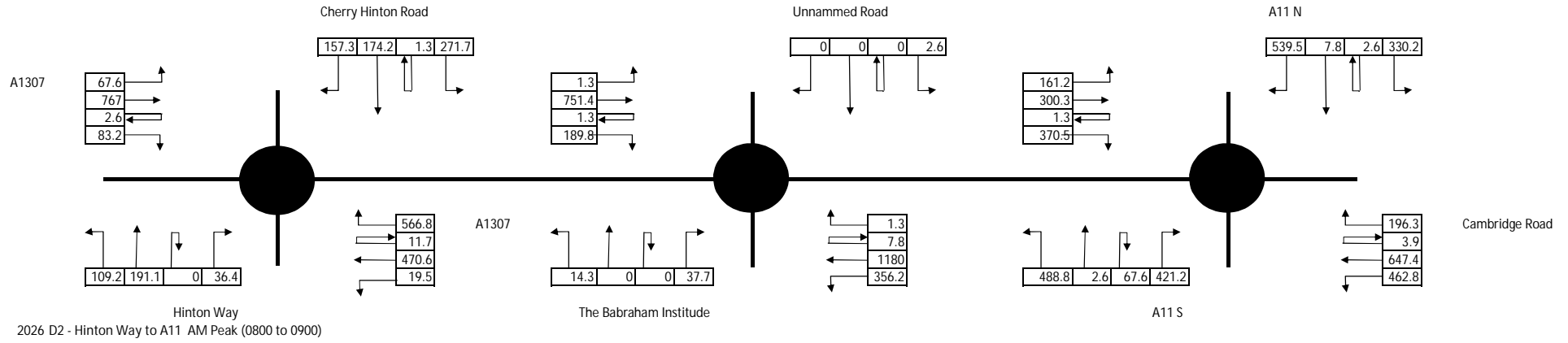


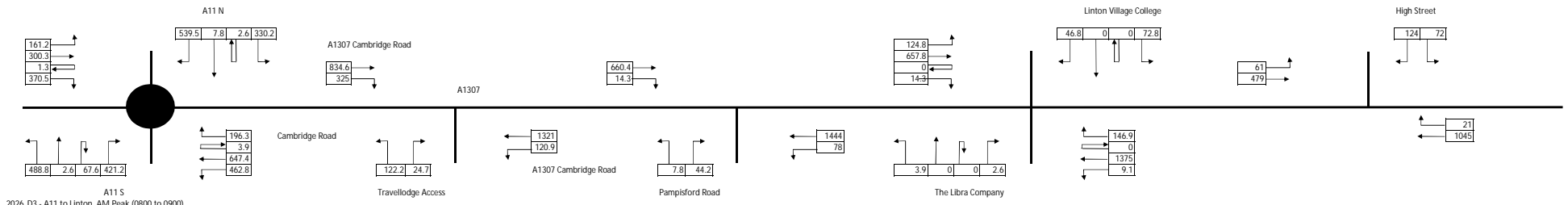


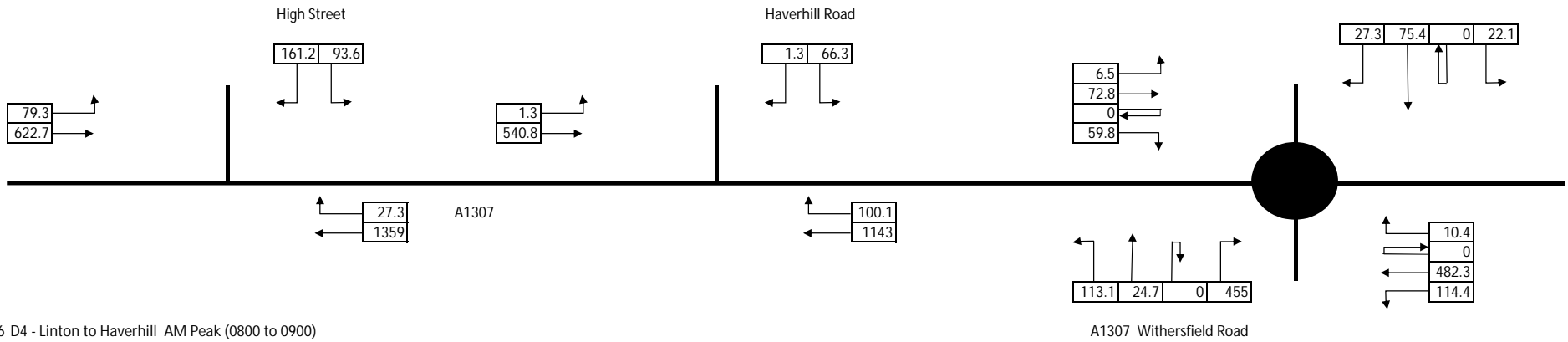
2016 D8 - A11 to Linton PM Peak (1700 to 1800)

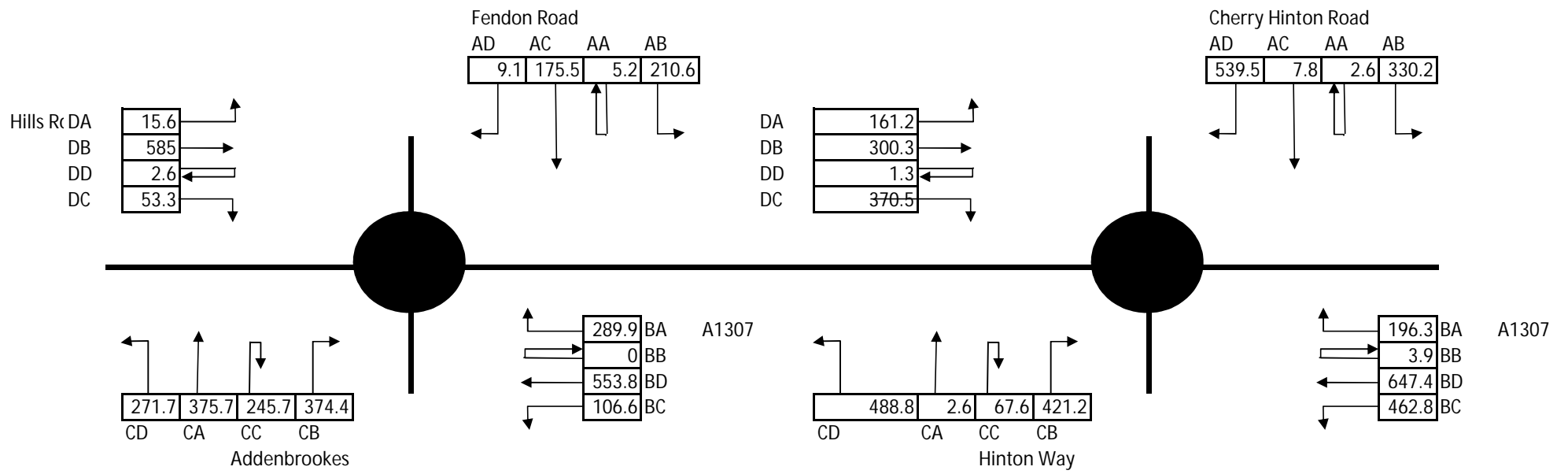


2026 D1 - Addenbrookes to Hinton Way AM Peak (0800 to 0900)









2026 D6 - Addenbrookes to Hinton Way AM Peak (0800 to 0900)

